

Fluidised Catalytic Cracking Unit Flue Gas Isolation Goggle Valves

Tight shut-off, high operating temperature,
zero jamming and wear free operation



Contact us to learn more about
Flue Gas Isolation Goggle Valves



IMI Z&J
Z&J Technologies GmbH
Bertramsweg 6
52355 Düren
Germany

IMI Critical Engineering
Lakeside, Solihull Parkway
Birmingham Business Park
Birmingham B37 7XZ
United Kingdom

www.imi-critical.com

11017.01.24en

Fluidised Catalytic Cracking Unit Flue Gas Isolation Goggle Valves

The design provides 100% shut-off of media flow with a total separation of the gas main in the closed position, thus ensuring no passage of the media from the upstream to the downstream gas main, i.e. man-safe isolation.

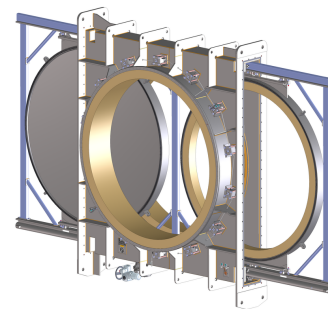


Key Features

- > High operating temperatures in hot-wall or cold-wall design.
- > Suitable for all process pipe positions.
- > Valve designed for temperature fluctuations.
- > Fluid: flue gas, dust-laden gaseous media, clean gas.

Benefits

- > No jamming of valve plates, not even under extreme operating conditions.
- > Operator safety, fully automated line blind.
- > Wear free operation.
- > No utility consumption when valve is in open or closed position.



Specification

Dimensions

Line size up to 5000mm (200 inch)

Actuator Types

Hydraulic or Electrical

Purge Media

not required

Operating Temperatures

Up to 1100°C

Leakage Rate

Tight shut-off zero leakage
Man-Safe isolation

Applications

- > Flue Gas Isolation Valve
- > Expander Isolation Valve
- > Electrostatic Precipitator Shut-off Valve
- > SCR Inlet/Outlet Valve
- > CO-Boiler/Waste Heat Boiler Isolation Valve

